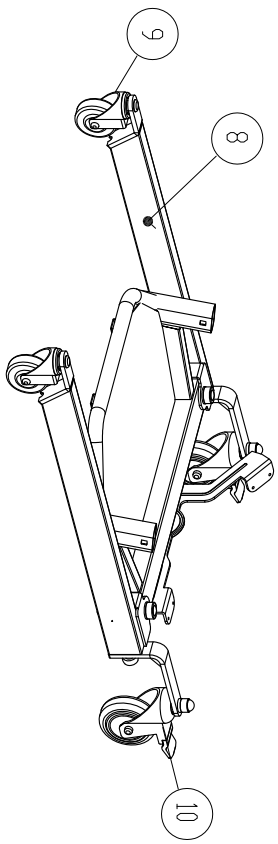
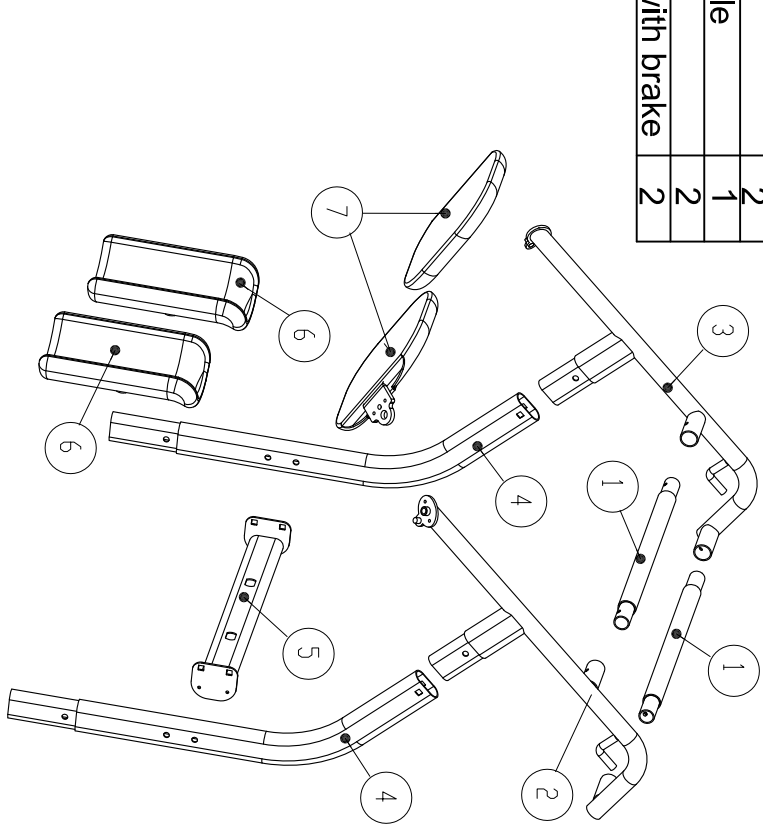
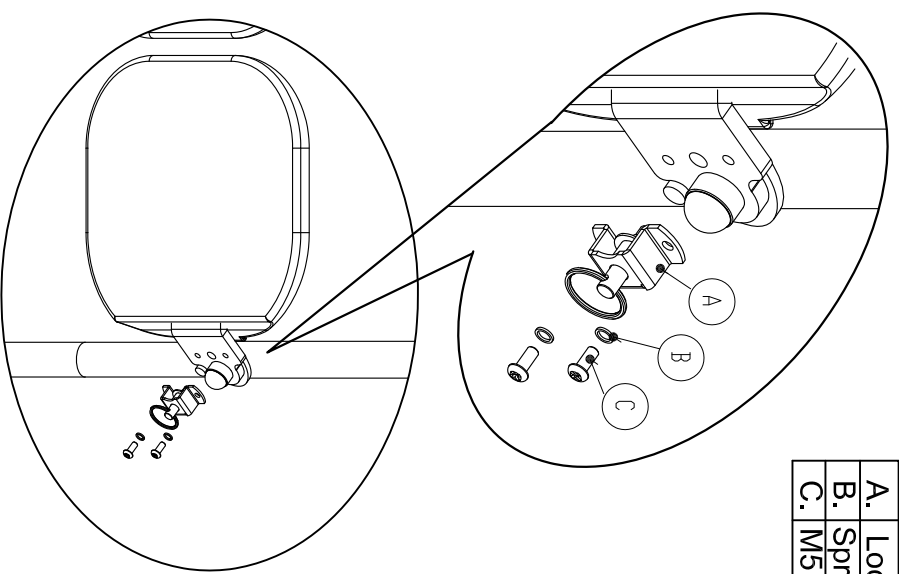


# STA450 simple explosion chart

1	Tubular cross bar	2
2	Handle bar support	1
3	Handle bar support	1
4	Support arm	2
5	Kneepad support	1
6	Kneepad	2
7	Seat pad	2
8	Base assemble	1
9	Front castor	2
10	Rear castor with brake	2

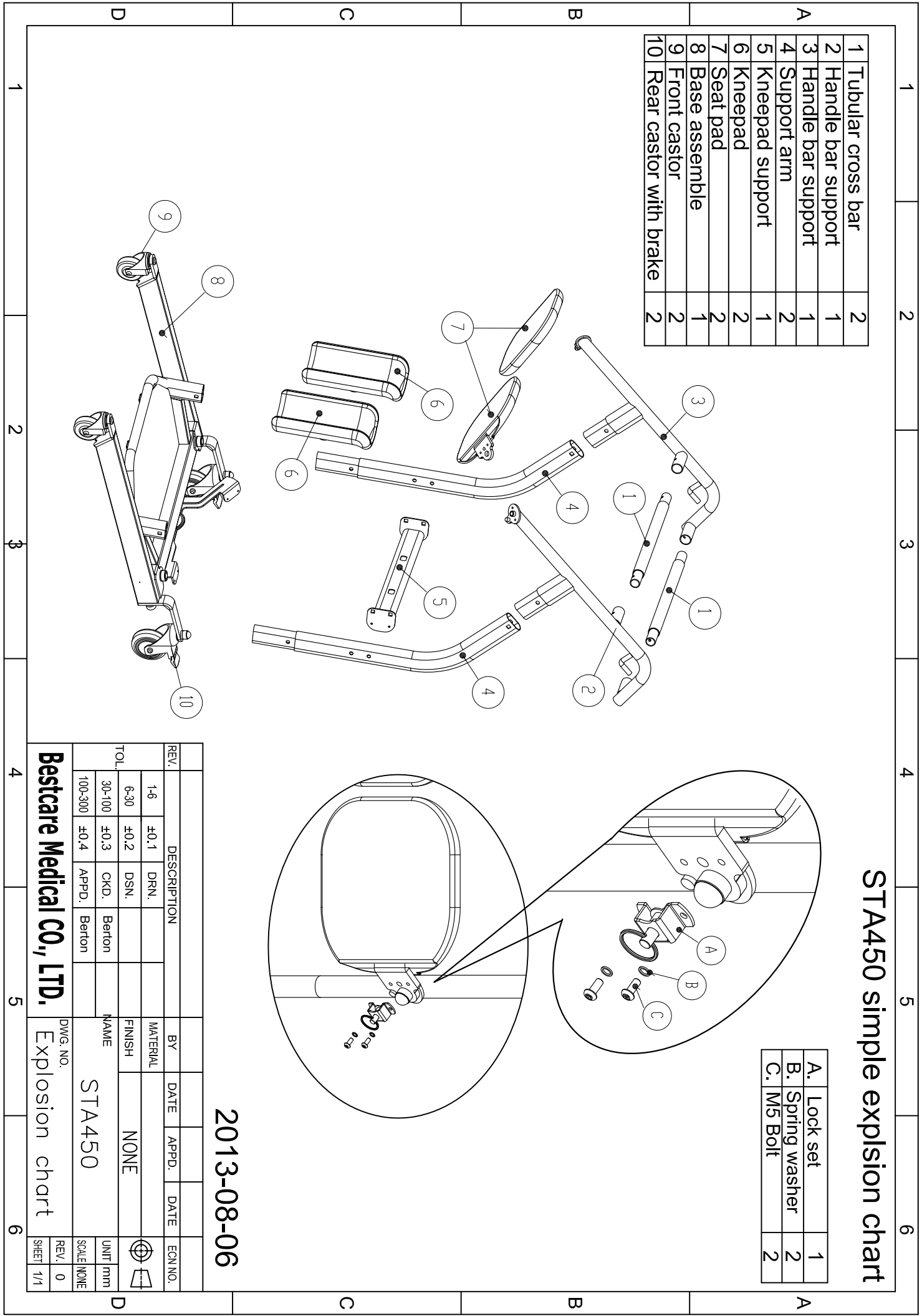


A.	Lock set	1
B.	Spring washer	2
C.	M5 Bolt	2

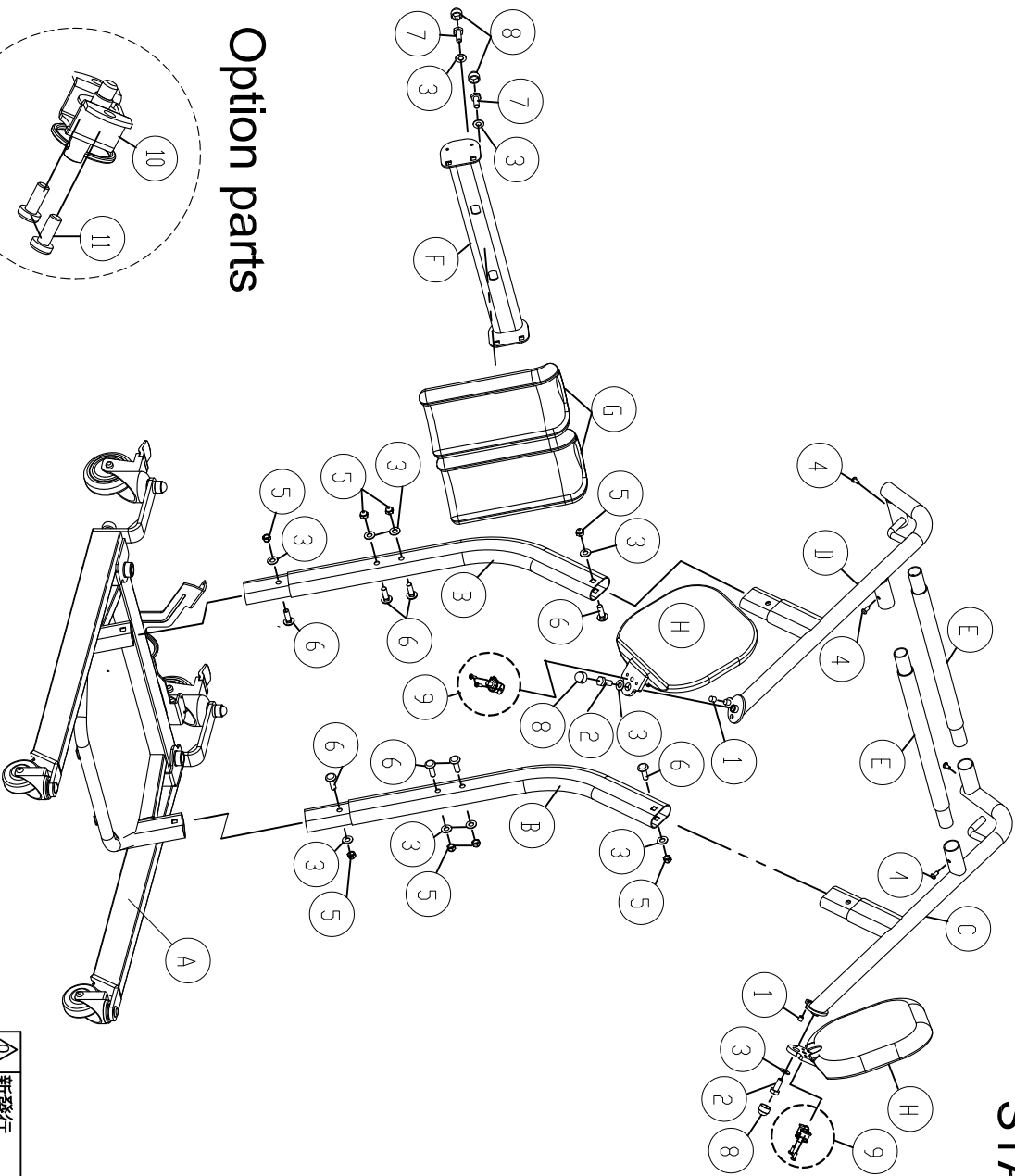


2013-08-06

REV.	DESCRIPTION	BY	DATE	APPD.	DATE	EQN NO.
1-6	±0,1	DRN.				
6-30	±0,2	DSN.				
30-100	±0,3	CKD.	Berton			
100-300	±0,4	APPD.	Berton			
TOL.		NAME		UNIT		SCALE
		STA450		mm		NONE
Bestcare Medical CO., LTD.			DWG. NO.			REV.
			Explosion chart			0
						SHEET
						1/1



# STA450 assemble explosion chart

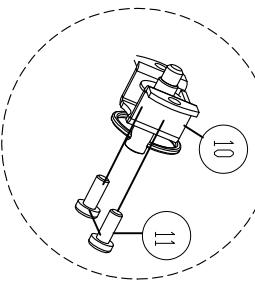


1.	Cap,φ9	2
2.	Bolt,M10x20L	2
3.	Washer,M10	10
4.	Bolt,M6x16L	4
5.	Nut,3/8" with cap	8
6.	Bolt,3/8"-1-3/4"L	8
7.	Bolt,M10x30L	2
8.	Cap,M10	4
9.	Option parts, (Seat lock kit)	2
10.	Seat lock	1
11.	Bolt,M5x8L	2

A.	STA450 Base assemble	1
B.	Support arm	2
C.	Handle bar support	1
D.	Handle bar support	1
E.	Tubular cross bar	1
F.	Kneepad support	1
G.	Kneepad	2
H.	Seatpad	2

2013-08-06

## Option parts

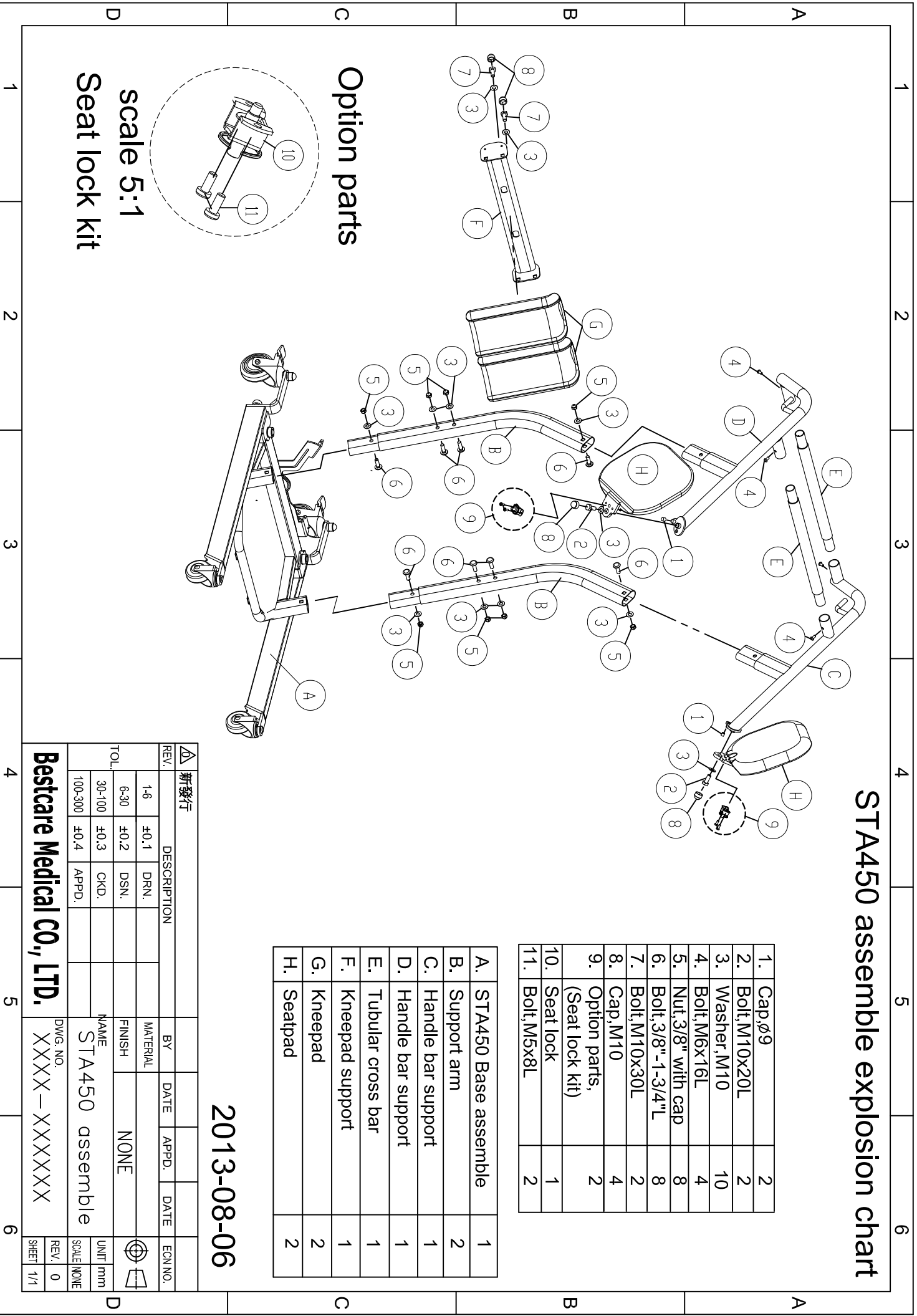


scale 5:1

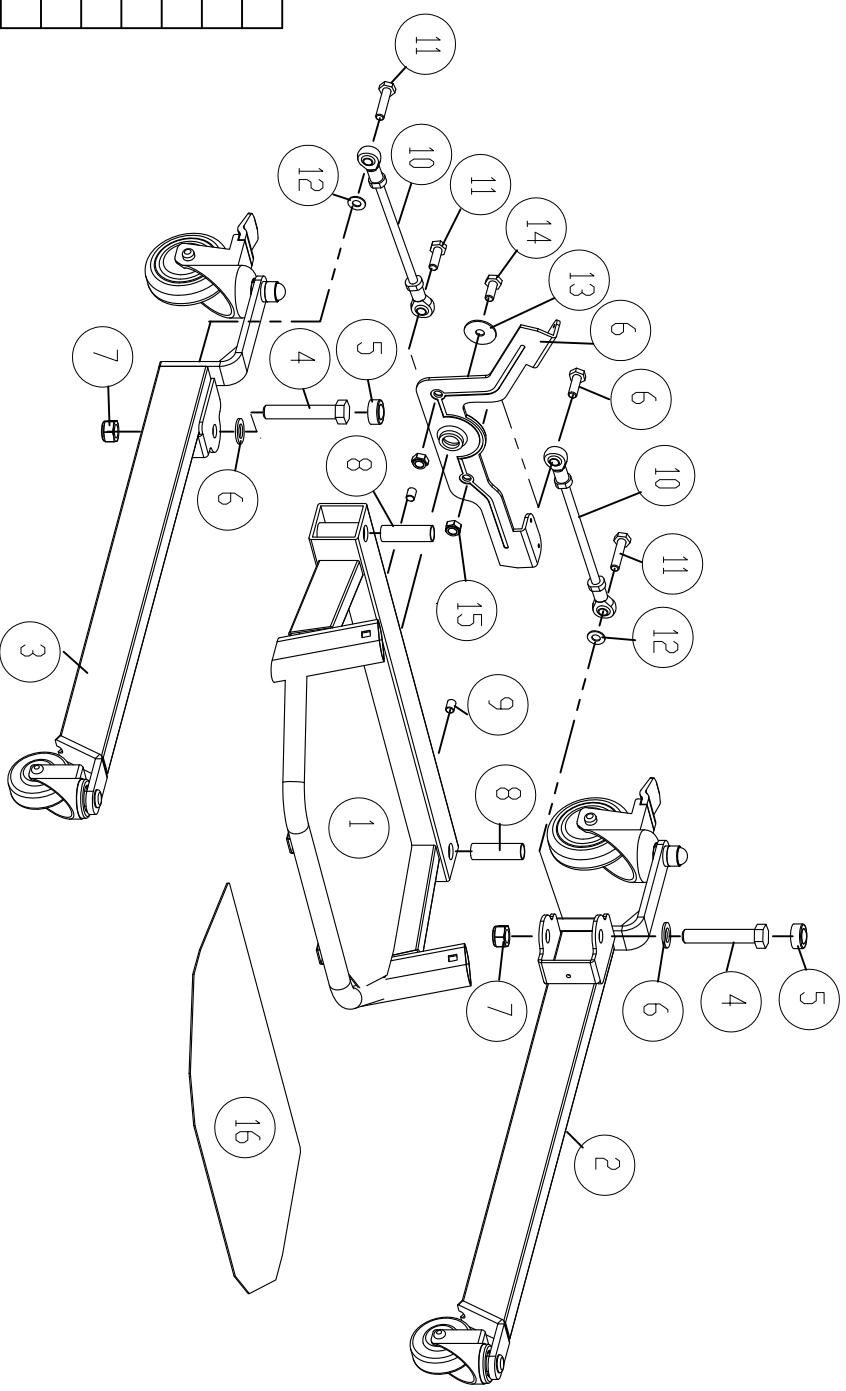
## Seat lock kit

△ 新發行		DESCRIPTION	BY	DATE	APPD.	DATE	EGN NO.
REV.	1-6	±0.1	DRN.				
	6-30	±0.2	DSN.				
TOL.	30-100	±0.3	CKD.				
	100-300	±0.4	APPD.				
		NAME	STA450 assemble				
		DWG. NO.	XXXX-XXXXXXX				
		SCALE	NONE				
		REV.	0				
		SHEET	1/1				

Bestcare Medical CO., LTD.



# STA450 Base assemble explosion drawing



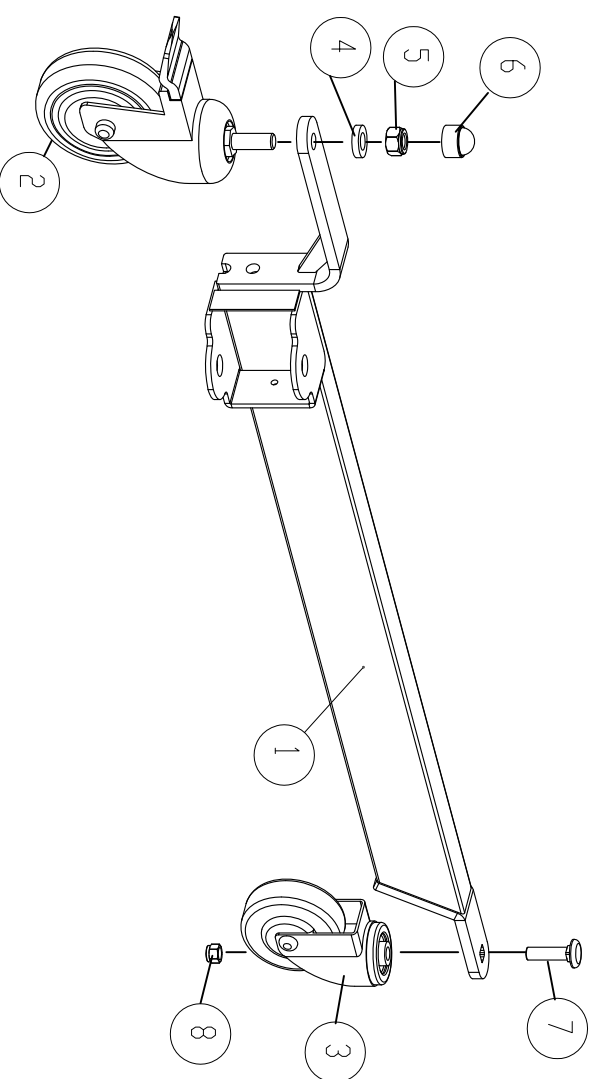
1.	Base	1
2.	Leg assemble-right	1
3.	Leg assemble-left	1
4.	Bolt-M16-90L	2
5.	Cap-rubber	2
6.	Spacer, $\phi 16$	2
7.	Nut, M16	2
8.	Tube, Rotate	2
9.	Cap, $\phi 9$	2
10.	Joint bar	2
11.	Bolt, M10-30L	4
12.	Washer, M10	2
13.	Washer, $\phi 10-\phi 38$	1
14.	Bolt, M10-20L	1
15.	Nut, M10	2
16.	Footrest, Slip pad	1

		<b>新發行</b>								
REV.	DESCRIPTION	BY	DATE	APPD.	DATE	EGN NO.				
1-6	$\pm 0,1$	DRN.								
6-30	$\pm 0,2$	DSN.								
30-100	$\pm 0,3$	CKD.								
100-300	$\pm 0,4$	APPD.								
TOL.		NAME		UNIT		SCALE				
		STA450 Base		mm		NONE				
DWG. NO.		REV.		SHEET						
XXXX-XXXXXXX		0		1/1						

**Bestcare Medical CO., LTD.**

2013-08-06

# STA450 Right leg assemble explosion chart



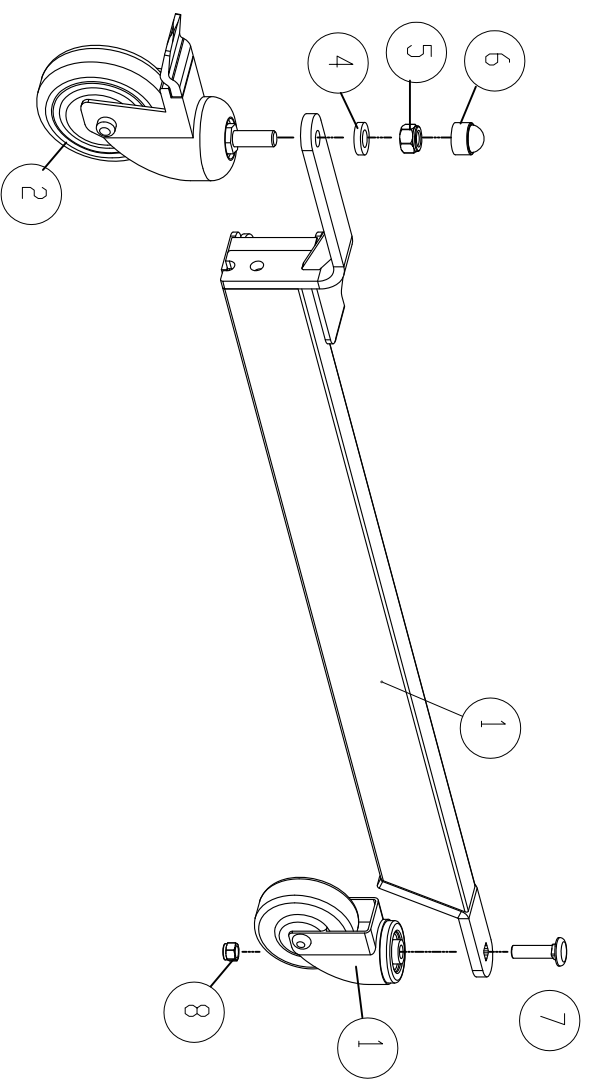
1.	Leg-right	1
2.	Rear castor with brake	1
3.	Front Castor, 3"	1
4.	Washer, M12	1
5.	Nut, M12	1
6.	Cap, M12Plastic	1
7.	Blot, 3/8"	1
8.	Nut, 3/8"	1

		新發行			
REV.	DESCRIPTION	BY	DATE	APPD.	DATE
1-6	±0.1	DRN.			
6-30	±0.2	DSN.			
30-100	±0.3	CKD.			
100-300	±0.4	APPD.			
TOL.		NAME		UNIT	
		STA450 Right leg		mm	
100-300 ±0.4 APPD.		DWG. NO. XXXX-XXXXXXX		SCALE NONE	
<b>Bestcare Medical CO., LTD.</b>					
REV. 0		SHEET 1/1		ECONO.	

2013-08-06

A	B	C	D	1	2	3	4	5	6
---	---	---	---	---	---	---	---	---	---

# STA450 Left leg assemble explosion chart



1.	Leg-left	1
2.	Rear castor with brake	1
3.	Front Castor, 3"	1
4.	Washer, M12	1
5.	Nut, M12	1
6.	Cap, M12 Plastic	1
7.	Blot, 3/8"	1
8.	Nut, 3/8"	1

2013-08-06

新發行		DESCRIPTION		BY	DATE	APPD.	DATE	EGN NO.
REV.	1-6	±0.1	DRN.	MATERIAL				
	6-30	±0.2	DSN.	FINISH	NONE			
TOL.	30-100	±0.3	CKD.	NAME				
	100-300	±0.4	APPD.	STA450 left leg				
<b>Bestcare Medical CO., LTD.</b>				DWG. NO.	XXXXX-XXXXXXX			
UNIT	mm	SCALE	NONE	REV.	0	SHEET 1/1		